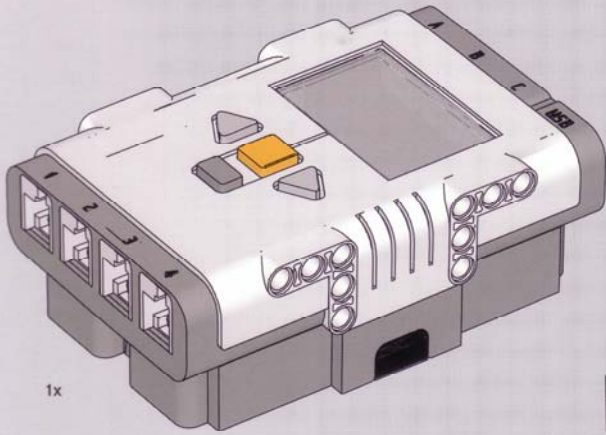
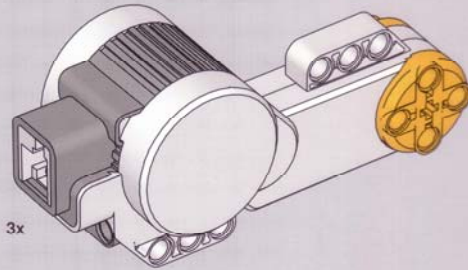


# Grey storage tray for LEGO NXT Robotics set #9797

Print onto sticky back photo paper and cut into individual sections that can be stuck into bottom of tray bins to help students keep track of parts.



1x



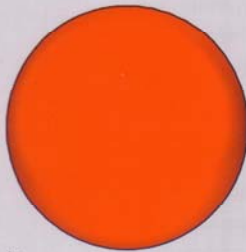
3x



4x



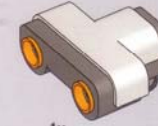
4x



1x



1x



1x



1x



1x



1x



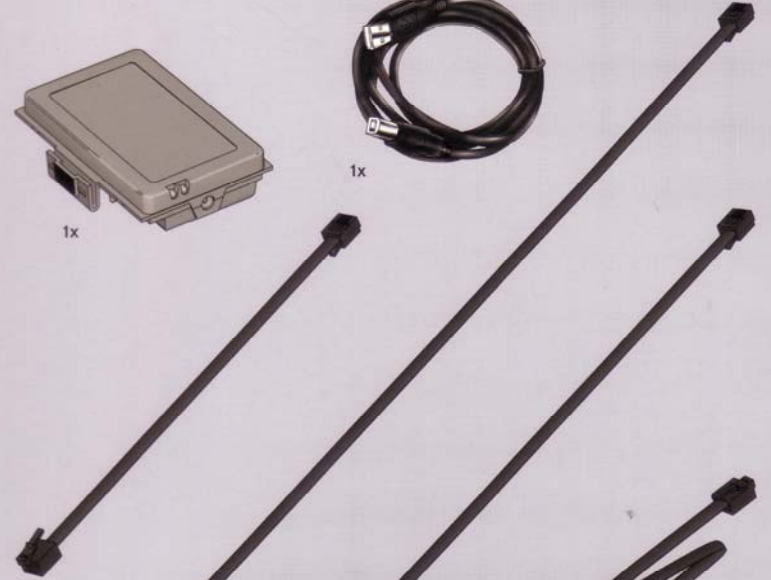
2x



1x



1x



1x

2x

4x

3x

